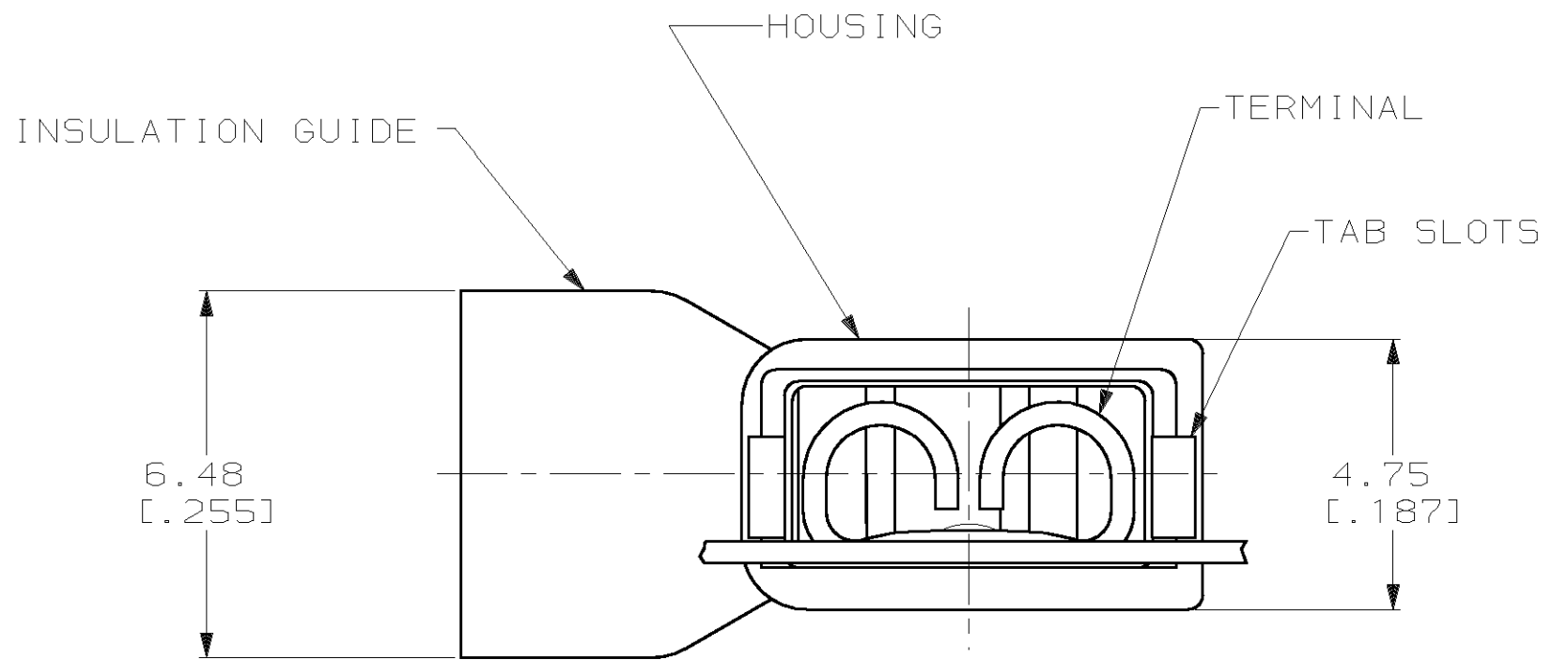
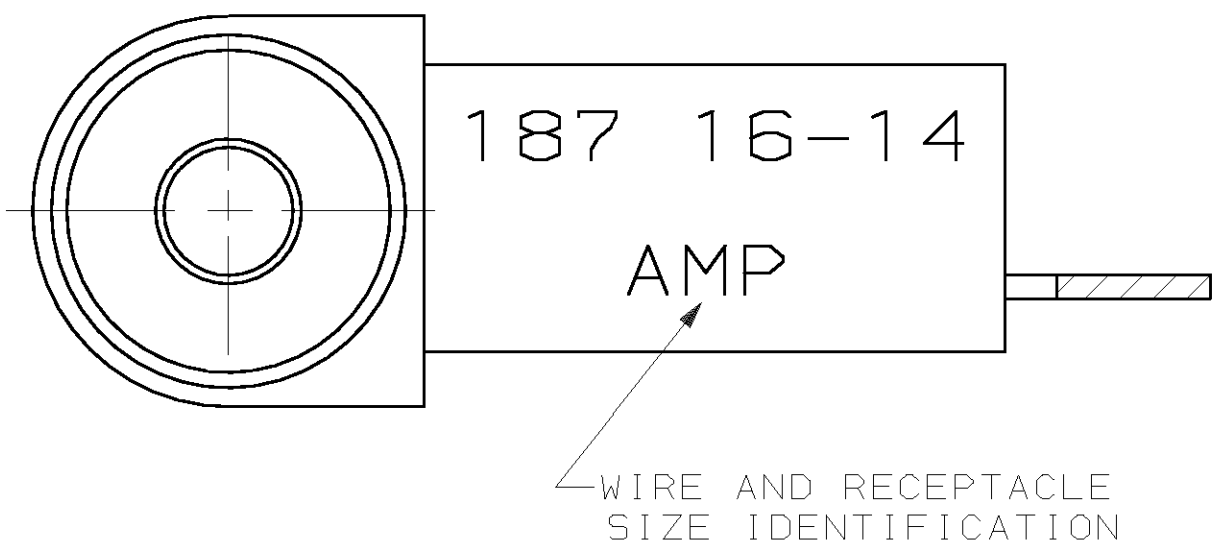
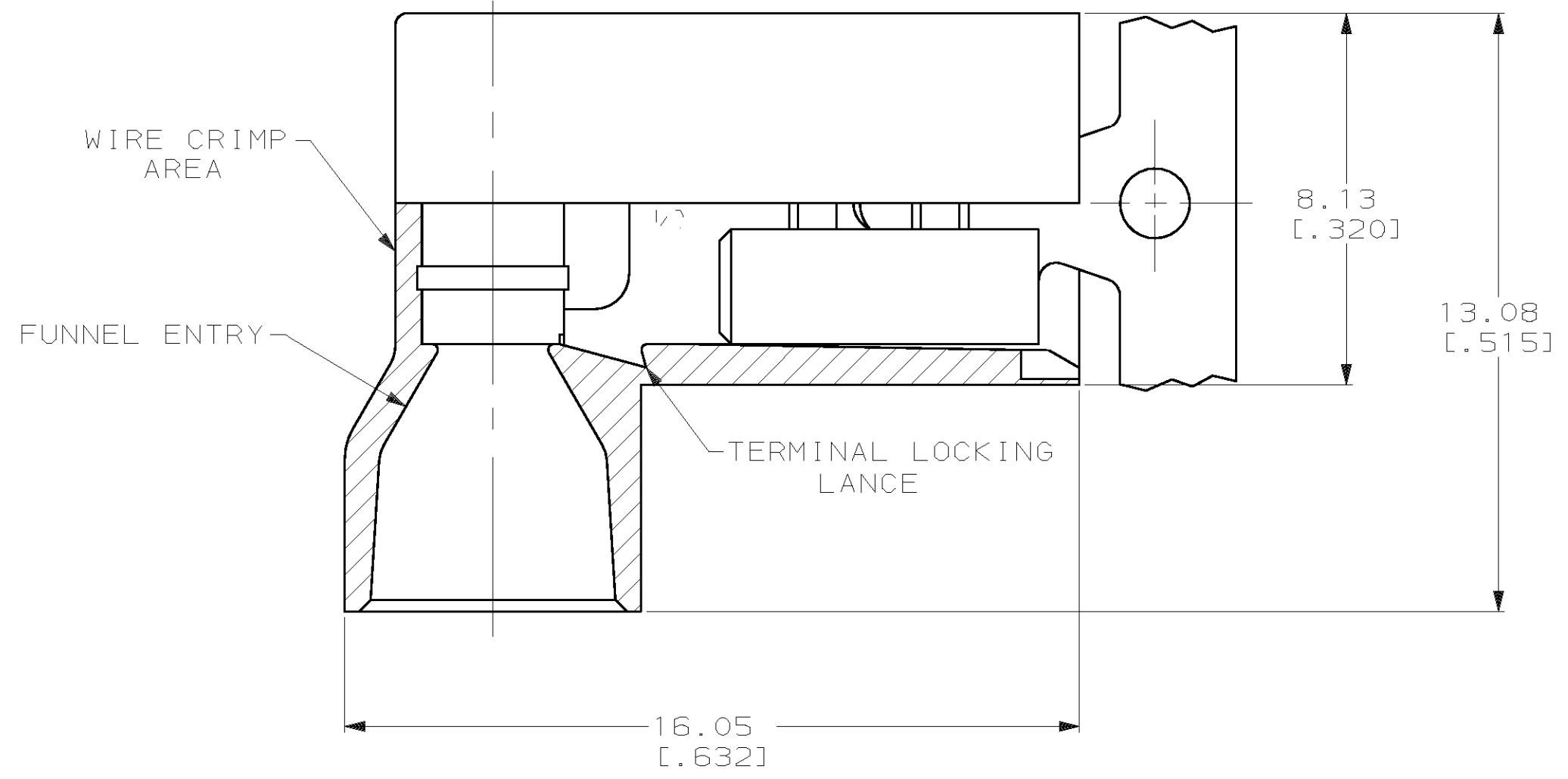


THIS DRAWING IS UNPUBLISHED. RELEASED FOR PUBLICATION
 © COPYRIGHT 19 BY AMP INCORPORATED. ALL INTERNATIONAL RIGHTS RESERVED.

LOC		DIST		ZONE		LTR		REVISIONS		DATE	APPD
AF	50	P	F			J		ADDED 6-2 PER 063A-0391-00	28JUL00	JR/JH	

- 1 FITS 0.51±0.025 X 4.75 [.020±.001 X .187] TAB
- 2 WIRE SIZE: 1.3-2.0mm² [16-14 AWG], STRANDED ONLY.
STRIP LENGTH 7.14 [.281]
- 3 INSULATION SIZE: 4.70 [.185] MAX DIA.
- 4 CONTINUOUS STRIP
- 5 PRELIMINARY - NOT FOR PRODUCTION



STANDARD	TYPE	COLOR	MATERIAL	FINISH	PART NO
BULK	TYPE 6/6 NYLON	GRAY	0.41 [.016] #4H BRASS	0.002032 [.000080] MIN TIN PL	6-520338-2
STANDARD		BLUE TRANSLUCENT			5-520338-2
PACKAGING					3-520338-2
DO NOT SCALE PRINT. UNLESS SPECIFIED DIMENSIONS IN mm [INCHES] TOLERANCES ON:		HOUSING		TERMINAL	
2 PLC DEC ± 0.38 [.015]		DR 8/9/90 P FORTNEY		AMP AMP Incorporated Harrisburg, PA 17105-3608	
3 PLC DEC ± -		CHK 8/9/90 JR RUTH		NAME	
ANGLES ± -		APPD 8/9/90 D BRATINA		RECEPTACLE ASSEMBLY, ULTRA-FAST FLAG, 4.75 [.187] SERIES	
MATERIAL		APPD 8/9/90 R KUZO		SIZE	
SEE TABLE		PRODUCT SPEC 108-2043		CAGE CODE 00779	
FINISH		APPLICATION SPEC 114-2123		DRAWING NO 520338	
SEE TABLE		WEIGHT -		SCALE 8:1	
				SHEET 1 OF 1	

METRIC